

# CERES - OBJECT 006-A



CERES is a system of objects comprised of bases and surface planes/ tops that nestle securely. We offer several standard configurations.

Foggy resin tops straddle tactile inset bases – cast in a variety of unique materials, an interplay of smooth and rough, solid and atmospheric, curved and straight. A gentle taper on the thin top invites light to glow through the translucent edge.

OBJECT 006-A, 2025

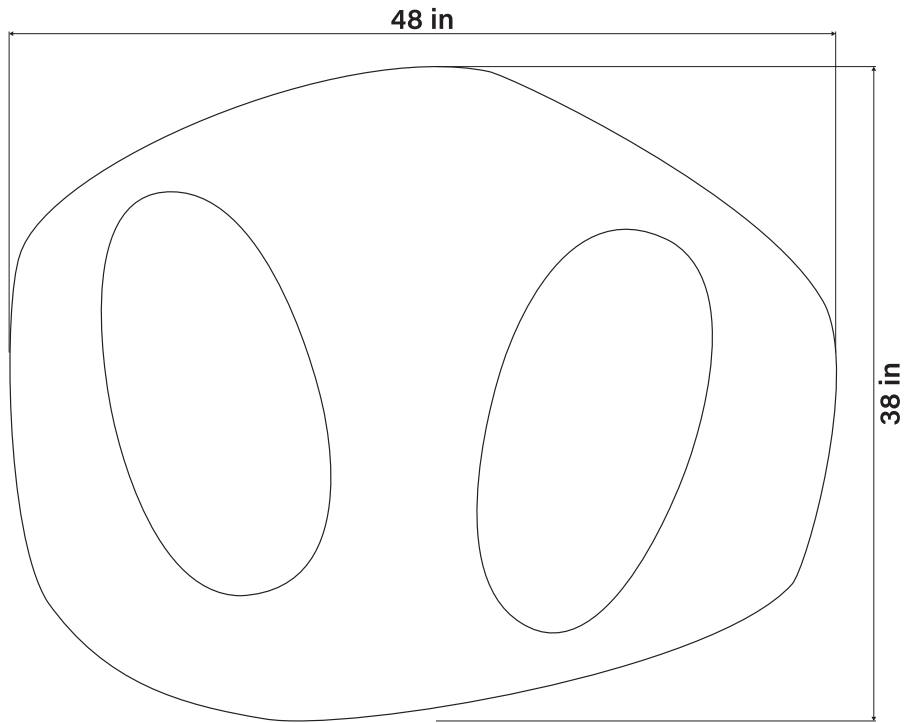
Materials: Resin, recycled glass powder, fiberglass, polymerized gypsum, pigment.

Origin: Canada

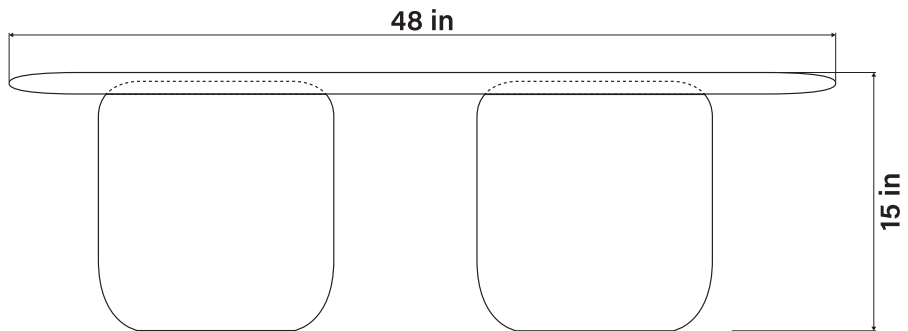
Production: 6-8 weeks

Dimensions: 48" W x 38" D x 15" H

# CERES - OBJECT 006-A



**OBJECT 006-A - TOP**



**OBJECT 006-A - SIDE**

# CERES - OBJECT 006-B



CERES is a system of objects comprised of bases and surface planes/ tops that nestle securely. We offer several standard configurations.

Foggy resin tops straddle tactile inset bases – cast in a variety of unique materials, an interplay of smooth and rough, solid and atmospheric, curved and straight. A gentle taper on the thin top invites light to glow through the translucent edge.

OBJECT 006-B, 2025

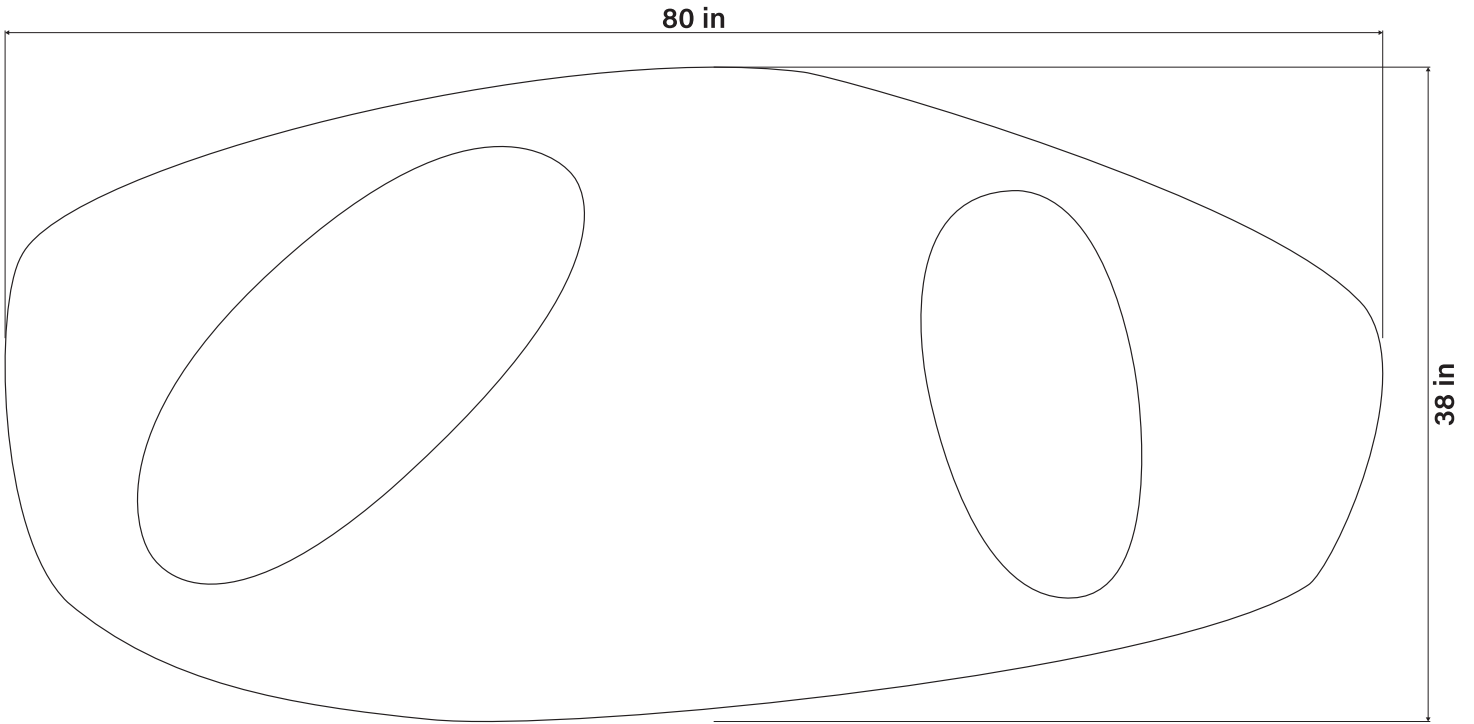
Materials: Resin, recycled glass powder, fiberglass, polymerized gypsum, pigment.

Origin: Canada

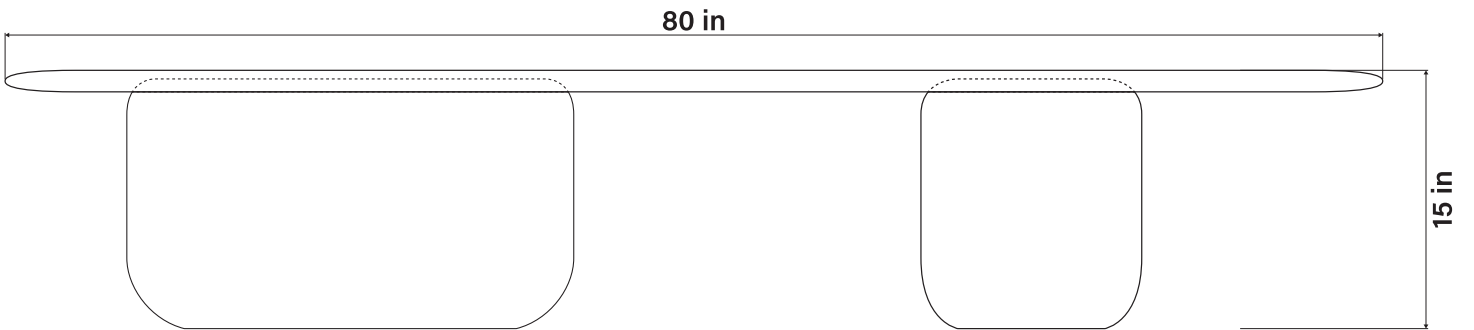
Production: 6-8 weeks

Dimensions: 80" W x 38" D x 15" H

# OBJECT 006-B



**OBJECT 006-B - TOP**



**OBJECT 006-B - SIDE**

# CERES - OBJECT 006-C



CERES is a system of objects comprised of bases and surface planes/ tops that nestle securely. We offer several standard configurations.

Foggy resin tops straddle tactile inset bases – cast in a variety of unique materials, an interplay of smooth and rough, solid and atmospheric, curved and straight. A gentle taper on the thin top invites light to glow through the translucent edge.

OBJECT 006-C, 2025

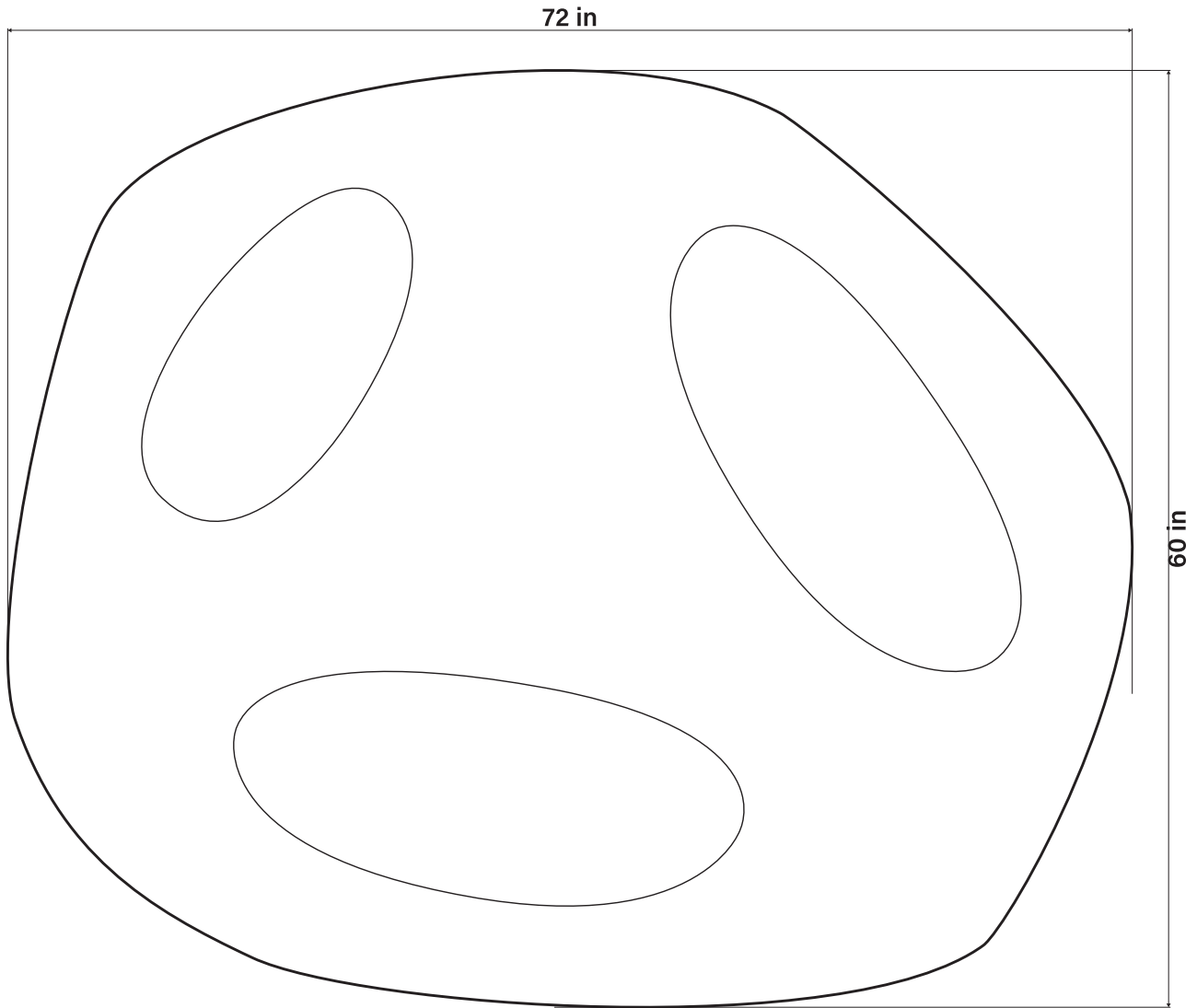
Materials: Resin, recycled glass powder, fiberglass, polymerized gypsum, pigment.

Origin: Canada

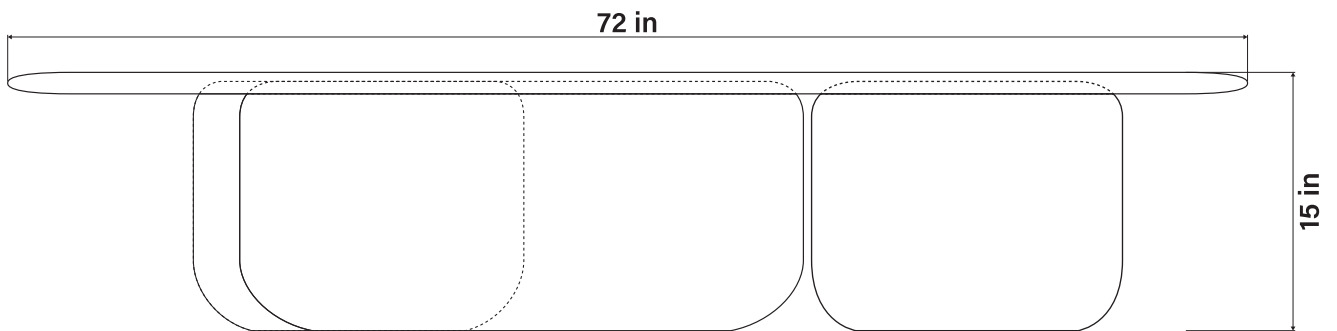
Production: 6-8 weeks

Dimensions: 72" W x 60" D x 15" H

# OBJECT 006-C



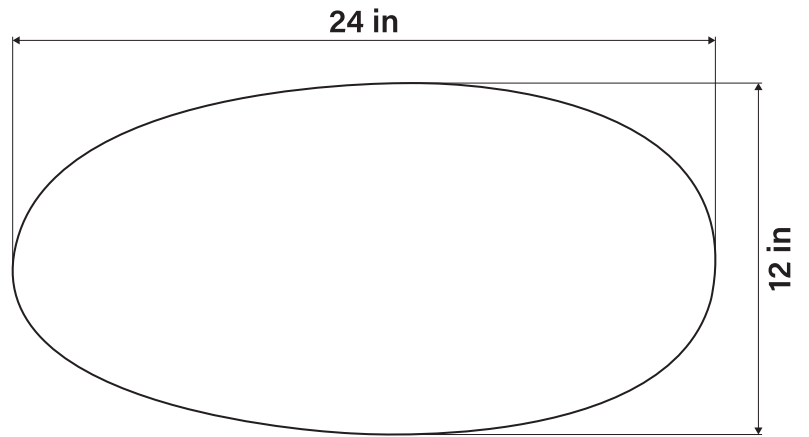
**OBJECT 006-C - TOP**



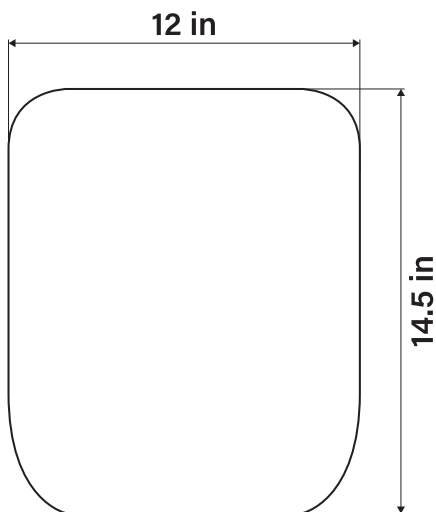
**OBJECT 006-C - SIDE**

# LOW BASE MODULE - BASE24

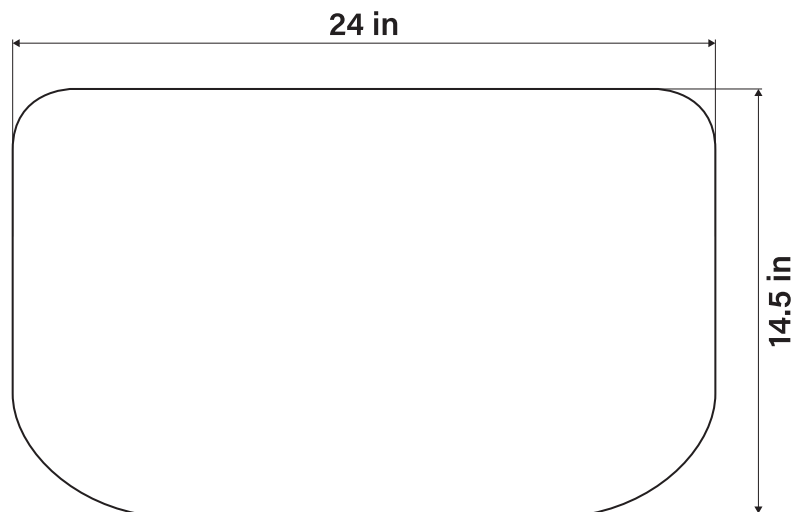
CERES base modules can be configured as required to support a variety of top shapes and sizes.



**BASE24-TOP**



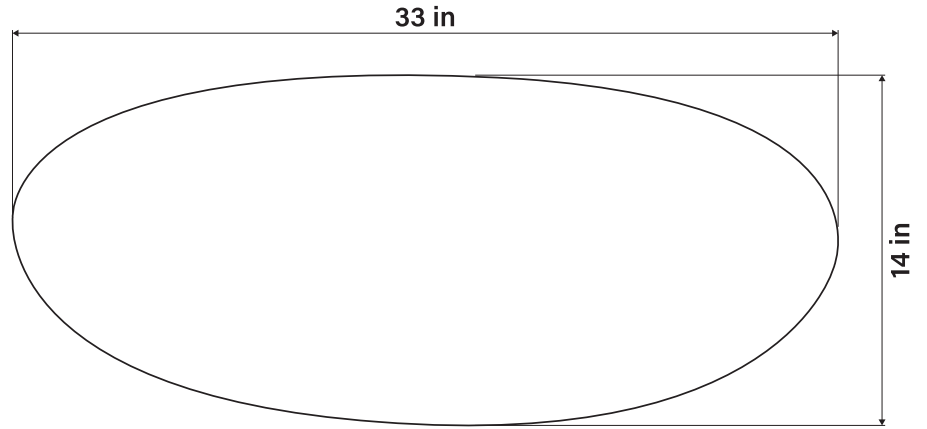
**BASE24-END**



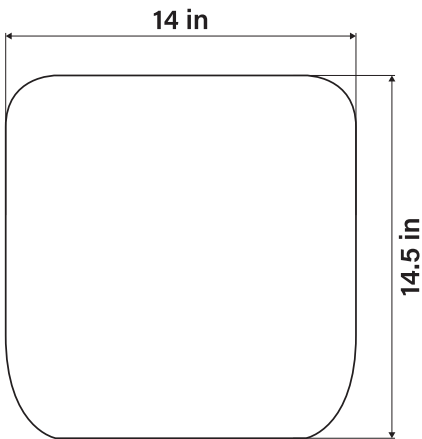
**BASE24-SIDE**

# LOW BASE MODULE - BASE33

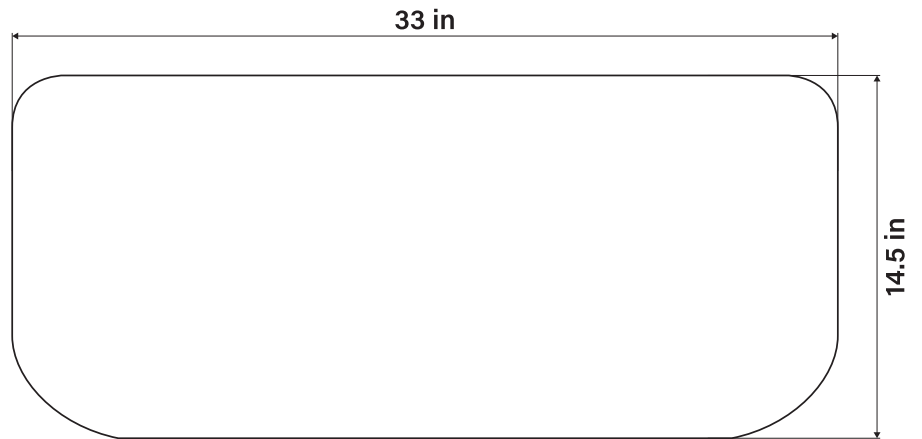
CERES base modules can be configured as required to support a variety of top shapes and sizes.



**BASE33-TOP**



**BASE33-END**



**BASE33-SIDE**